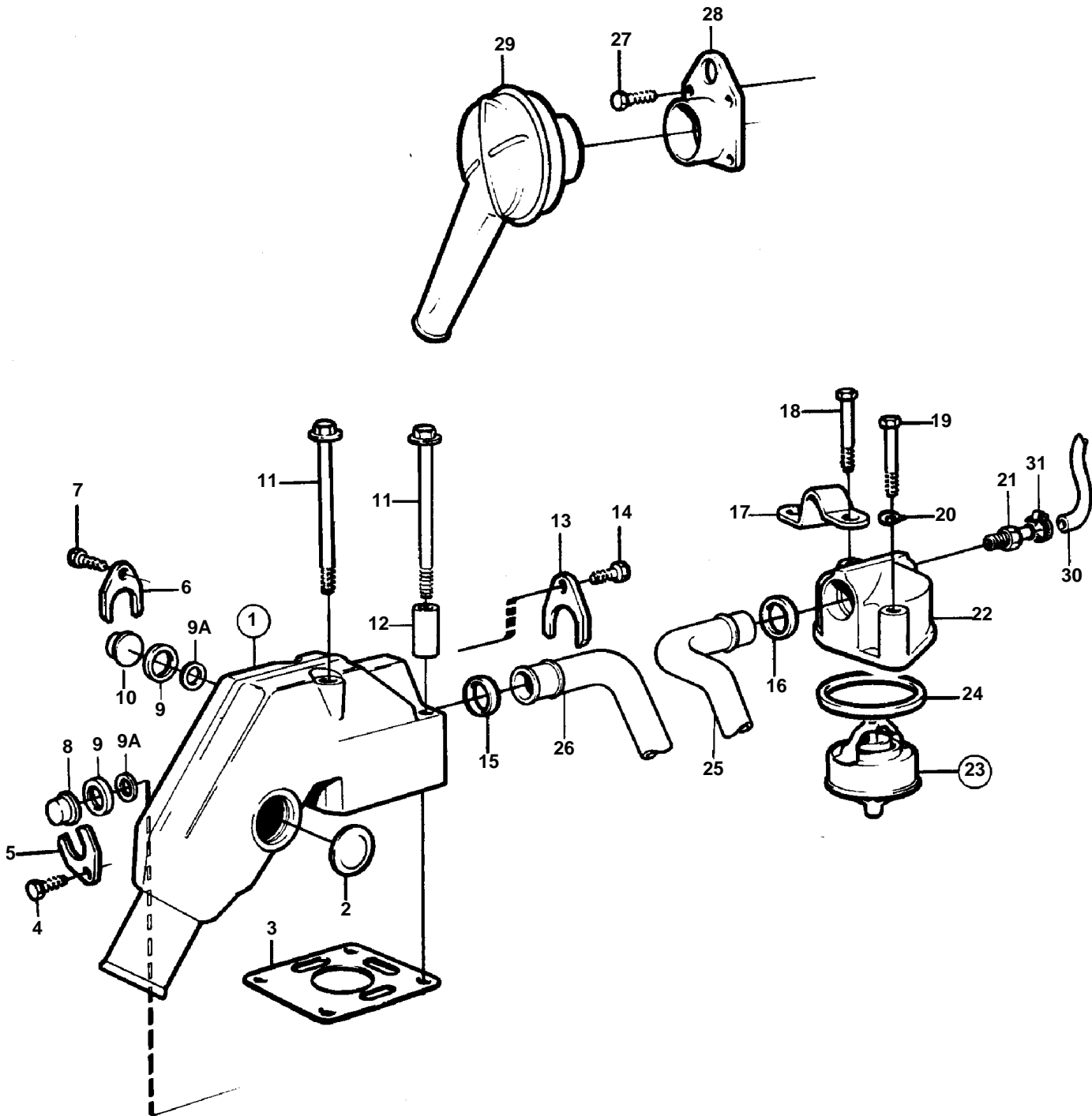


2002,2002B,2002AG,2002BG,2003,2003B



**COOLING SYST, INDUCTION AND EXHAUST MANIFOLD.
FRESHWATER-COOLED ENGINE**

02B

2002,2002B,2002AG,2002BG,2003,2003B

REF	PART NO.	QTY	DESCRIPTION	NOTES
1	840690	1	Exhaust riser	
2	477026	2	· Expansion plug	(192426)
3	840902	1	Gasket	
4	955269	1	Screw	TO BE INSTALLED IN CYLINDER HEAD
5	840676	1	Clamp	TO BE INSTALLED IN CYLINDER HEAD
6	840676	1	Clamp	
7	955269	1	Screw	
8	840797	1	Plug	TO BE INSTALLED IN CYLINDER HEAD
9	418445	2	Sealing ring	TO BE INSTALLED IN CYLINDER HEAD
9A	943194	2	Washer	
10	840797	1	Plug	
11	969303	4	Flange screw	
12	852661	2	Spacer sleeve	
13	840740	1	Clamp	
14	955269	1	Screw	
15	418445	1	Sealing ring	
16	418411	1	Sealing ring	
17		1	LIFT IRON	
18	955300	1	Screw	L = 50 MM
19	955299	1	Screw	L = 45 MM
20	941907	1	Spring washer	
21	858185	1	Hose coupling	
22	840675	1	Thermostat housing	
23	875795	1	Thermostat kit	74%Z9 C. FOR ENGINE WITH HEAT EXCHANGER
24	416033	1	· Sealing ring	
25	840731	1	Coolant pipe	THERMOSTAT HOUSING-HEAT EXCHANGER
26	840735	1	Coolant pipe	2002,2002B. HEAT EXCHANGER-EXHAUST BEND
				2002AG,2002BG
	840736	1	Coolant pipe	2003,2003B. HEAT EXCHANGER-EXHAUST BEND
				2003AG,2003BG
27	955271	4	Screw	
28	840840	1	Connection flange	
29	840691	1	Muffler	
30	942700	X	Hose	L = 1000 MM. EXPANSION TANK-THERMOSTAT HOUSING
31	961662	1	Clamp	